

Figure 6-7 Input unit P for IEC motor up to sizes 132 to 280 on parallel shaft gearbox and bevel helical gearbox

Spare parts list for input unit P

- 581 Intermediate cover
- 582 Disk
- 583 Screw
- 585 Grub screw / bolt
- 586 Column
- 588 Screw
- 589 Nut
- 590 Piggy back plate
- 591 Threaded rod
- 592 Nut
- 593 Disk
- 594 Bracket
- 595 Nut
- 596 Screw
- 597 Disk
- 598 Belt guard
- 599 Screw

6.2.5 Input unit P

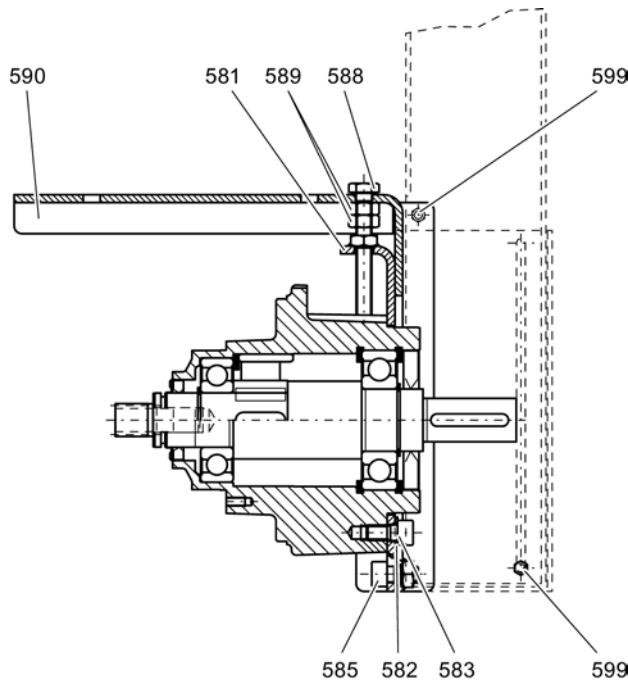


Figure 6-5 Input unit P for IEC motor up to size 112

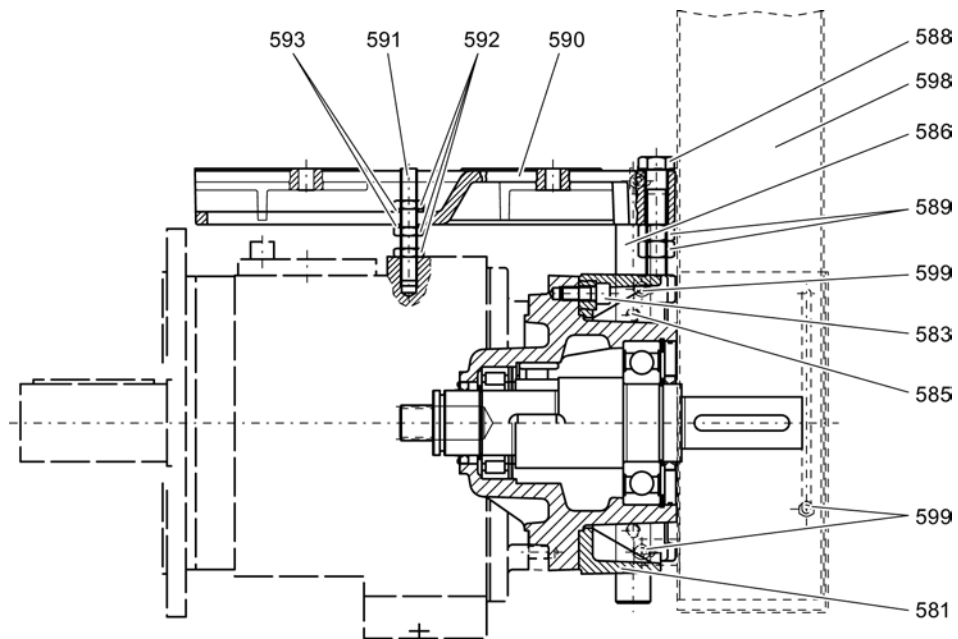


Figure 6-6 Input unit P for IEC motor up to sizes 132 to 280 on helical gearbox