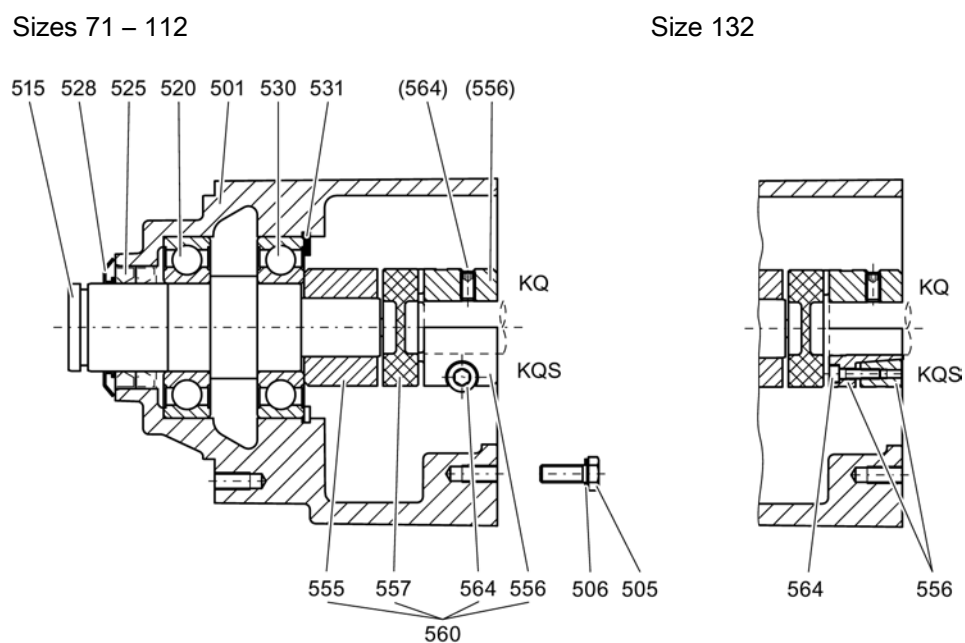


6.2.4 Input units KQ, KQS



- 501 Lantern
- 505 Screw
- 506 Locking ring
- 515 Drive shaft
- 520 Deep-groove ball bearing
- 525 Shaft sealing ring
- 528 Oil splasher
- 530 Deep-groove ball bearing
- 531 Locking ring
- 555 Coupling part 2
- 556 Coupling part 1
- 557 Gear ring
- 560 Coupling
- 564 Setscrew

Figure 6-4 Input units KQ, KQS