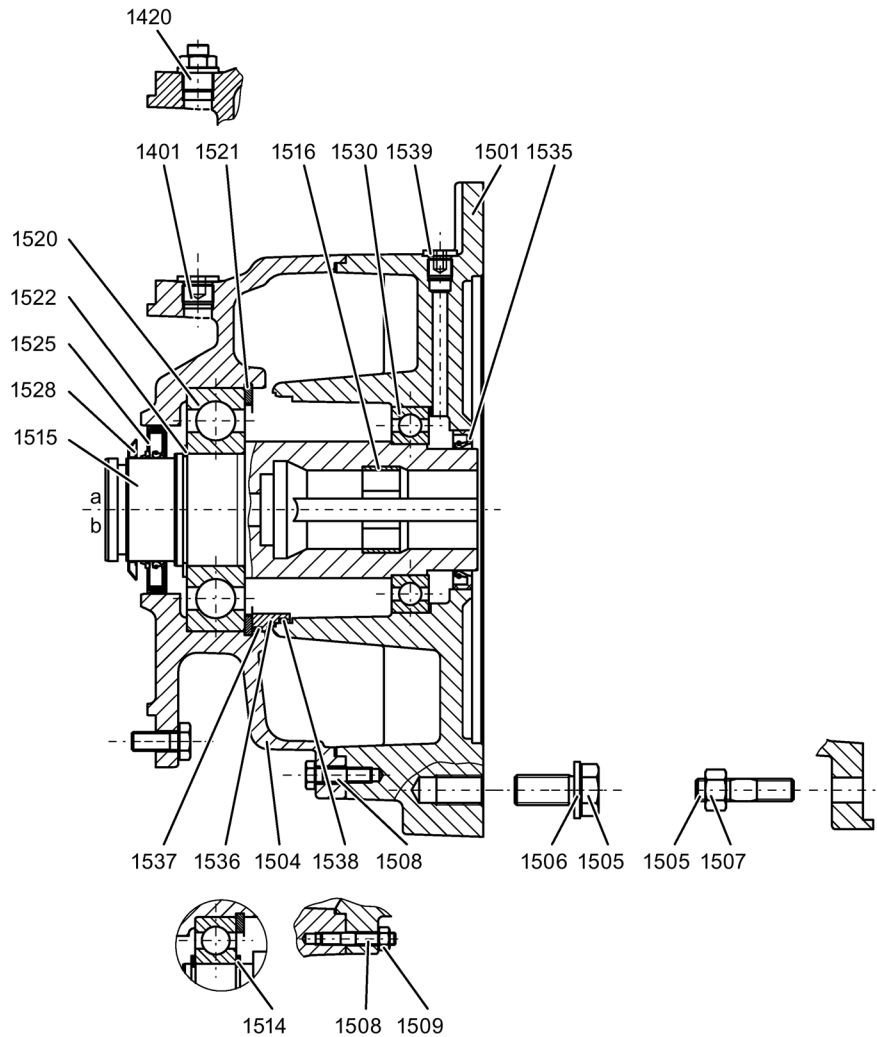


6.2.2 K4 and K5 short adapters with plug-in connection



- |      |                      |      |                    |
|------|----------------------|------|--------------------|
| 1401 | Screw plug           | 1520 | Bearing            |
| 1420 | Vent filter          | 1521 | Locking ring       |
| 1501 | Adapter              | 1522 | Locking ring       |
| 1504 | Bearing shield       | 1525 | Shaft sealing ring |
| 1505 | Bolt                 | 1528 | Disk               |
| 1506 | Plate / locking ring | 1530 | Bearing            |
| 1507 | Nut                  | 1535 | Shaft sealing ring |
| 1508 | Bolt                 | 1536 | Intermediate ring  |
| 1509 | Nut                  | 1537 | O-ring             |
| 1514 | Locking ring         | 1538 | O-ring             |
| 1515 | Shaft                | 1539 | Screw plug         |
| 1516 | Bush                 |      |                    |

Figure 6-4 K4 and K5 short adapters with clamp connection