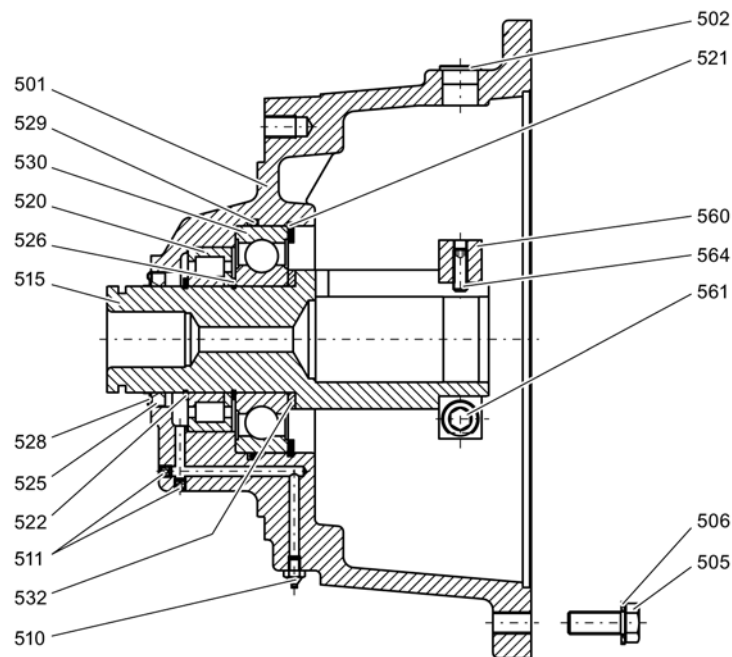
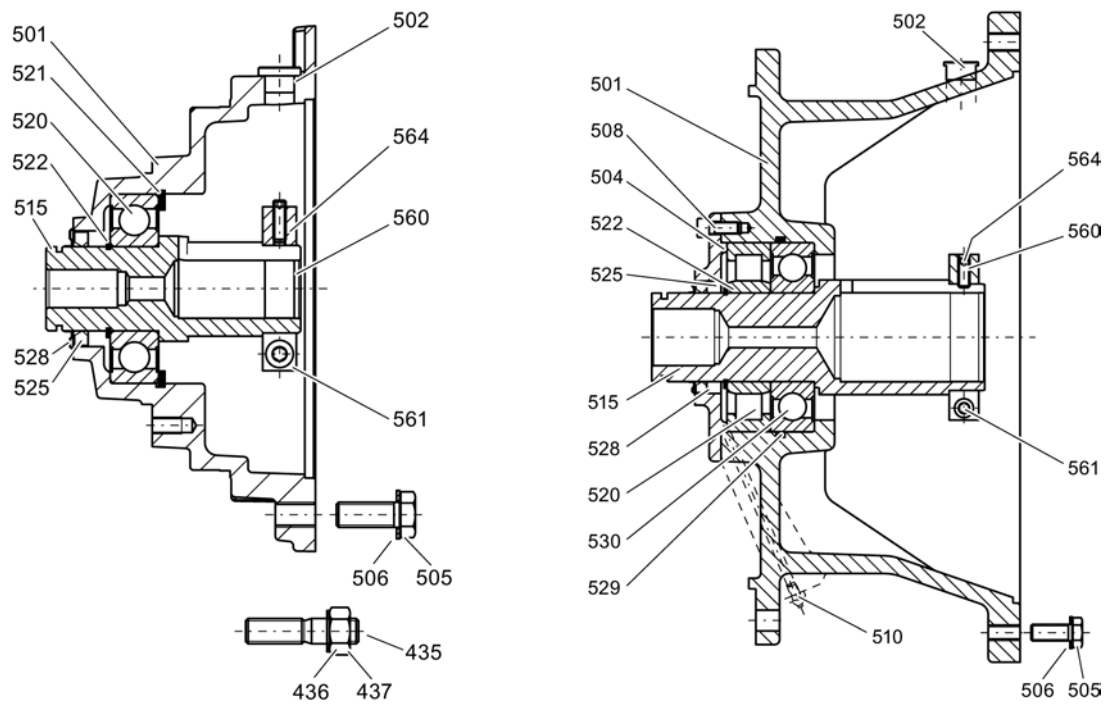


6.2.3 Input units K4, K5TC



6.2 Spare parts lists

- 435 Stud bolt
- 436 Locking ring
- 437 Hexagon nut
- 501 Lantern
- 502 Plug
- 504 Cover
- 505 Bolt
- 506 Locking ring
- 508 Bolt
- 510 Tapered grease nipple
- 511 Grub screw
- 515 Drive shaft
- 520 Deep-groove ball bearing / cylindrical-roller bearing
- 521 Locking ring
- 522 Locking ring
- 525 Shaft sealing ring
- 526 Locking ring
- 528 Oil splasher
- 529 O-ring
- 530 Deep-groove ball bearing
- 532 Shim
- 560 Clamping ring
- 561 Bolt (component of Item 560)
- 564 Locking screw

Figure 6-3 Input units K4, K5TC