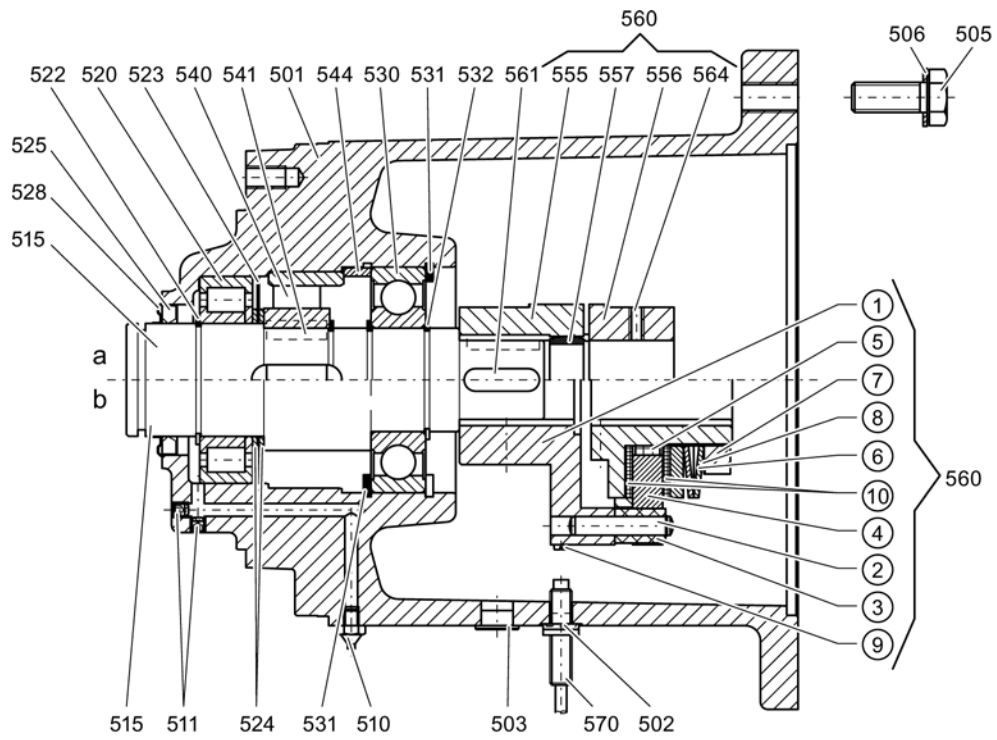


6.2.2 Input units K2, K2TC



Spare parts list for input units K2, K2TC

- a with backstop
- b without backstop
- 100 Parallel key
- 210 Screw
- 225 Seal
- 501 Lantern
- 502 Plug
- 503 Plug
- 505 Screw
- 506 Locking ring
- 510 Tapered grease nipple
- 511 Grub screw
- 515 Drive shaft
- 520 Cylindrical-roller bearing
- 522 Locking ring
- 523 Sealing disk
- 524 Supporting disk / socket
- 525 Shaft sealing ring
- 528 Oil splasher
- 529 O-ring
- 530 Deep-groove ball bearing / cylindrical-roller bearing
- 531 Locking ring
- 532 Locking ring
- 533 Four-point bearing
- 534 Bush
- 535 Shaft sealing ring
- 540 Backstop
- 541 Parallel key
- 542 Supporting disk
- 543 Shim
- 544 Bush
- 555 Coupling part 2
- 556 Coupling part 1
- 557 Gear ring
- 560 Coupling
- 561 Parallel key
- 564 Setscrew
- 570 Proximity switch