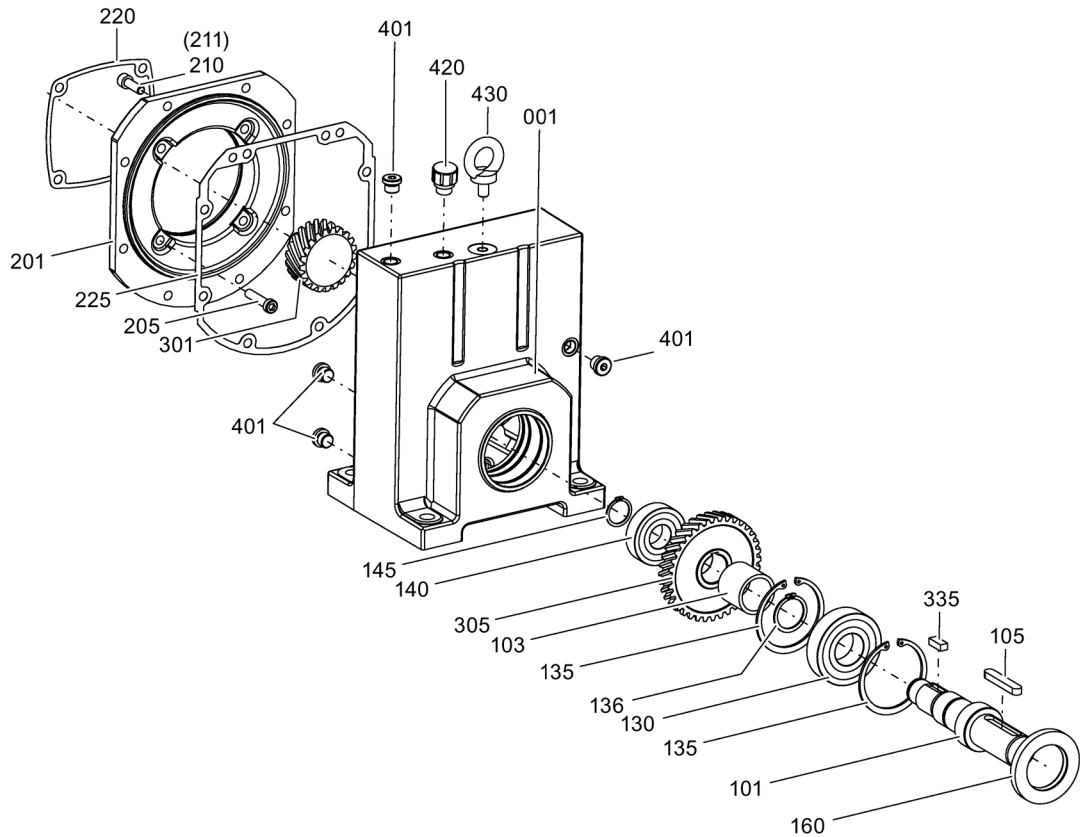


11.2 Spare parts lists

11.2.1 Single-stage helical gearbox sizes 38 - 148



- 001 Gearbox housing
- 101 Output shaft
- 103 Spacer / bush
- 105 Parallel key
- 130 Bearing
- 135 Locking ring
- 136 Locking ring
- 140 Bearing
- 145 Locking ring
- 160 Shaft sealing ring
- 201 Adapter plate
- 205 Screw
- 210 Screw
- 211 Screw lock
- 220 Seal
- 225 Seal

- 301 Plug-in pinion
- 305 Helical gear wheel
- 335 Parallel key
- 401 Screw plug
- 420 Vent filter
- 430 Eyebolt

Figure 11-2 Single-stage helical gearbox sizes 38 - 148