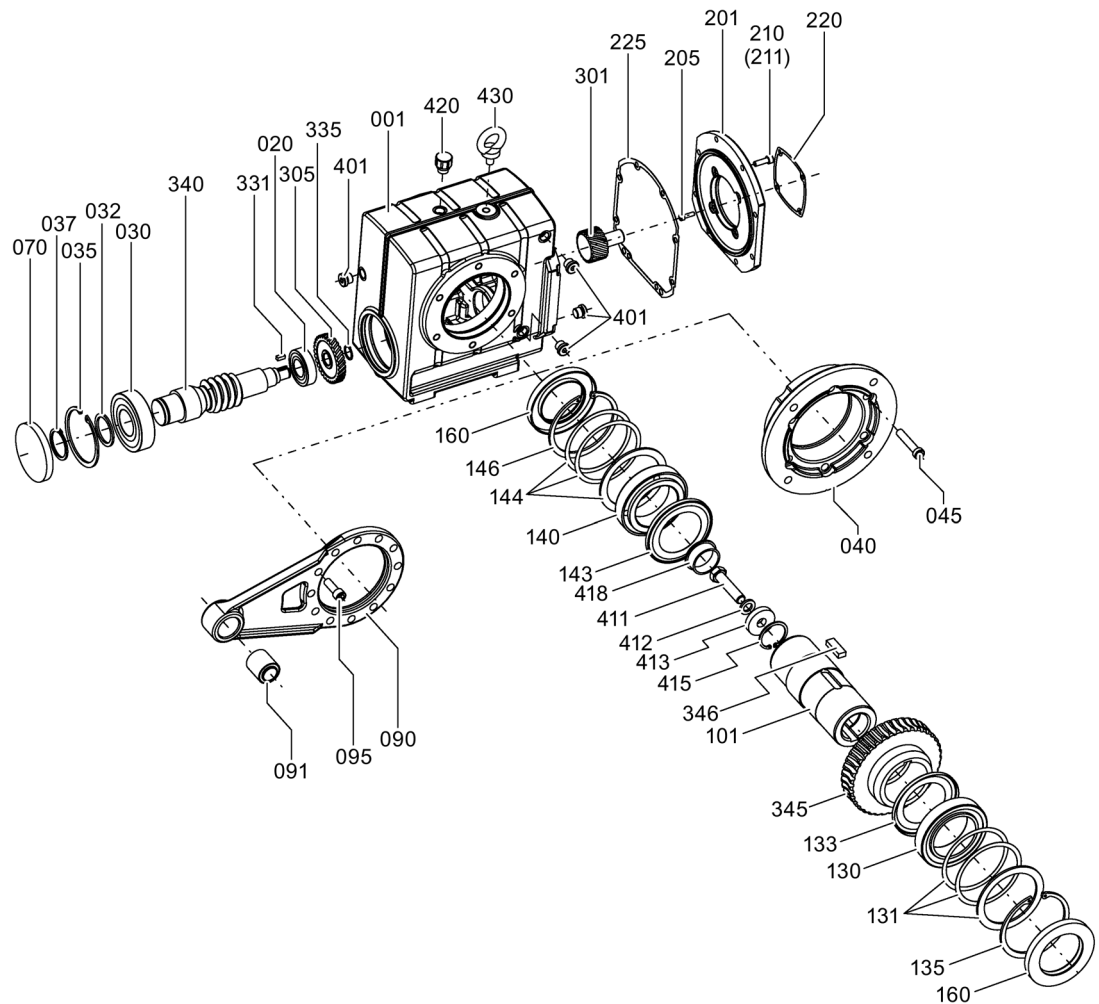


133	NILOS ring
135	Locking ring
140	Bearing
143	NILOS ring
144	Supporting disk / shim
146	Locking ring
160	Shaft sealing ring
201	Adapter plate
205	Screw
210	Screw
211	Screw lock
220	Seal
225	Seal
301	Plug-in pinion
305	Helical gear wheel
331	Parallel key
335	Locking ring
340	Worm shaft
345	Worm wheel
346	Parallel key
401	Screw plug
411	Screw
412	Screw lock
413	Disk
415	Locking ring
418	Plug / sealing cap
420	Vent filter
430	Eyebolt

Figure 11-7 Helical worm gearbox sizes 38 - 88

11.2.5 Helical worm gearbox sizes 38 - 88



- 001 Gearbox housing
- 020 Bearing
- 030 Bearing
- 032 Supporting disk / shim
- 035 Locking ring
- 037 Locking ring
- 040 Output flange
- 045 Screw
- 070 Sealing cap
- 090 Torque arm
- 091 Rubber bush
- 095 Screw
- 101 Output shaft
- 130 Bearing
- 131 Supporting disk / shim