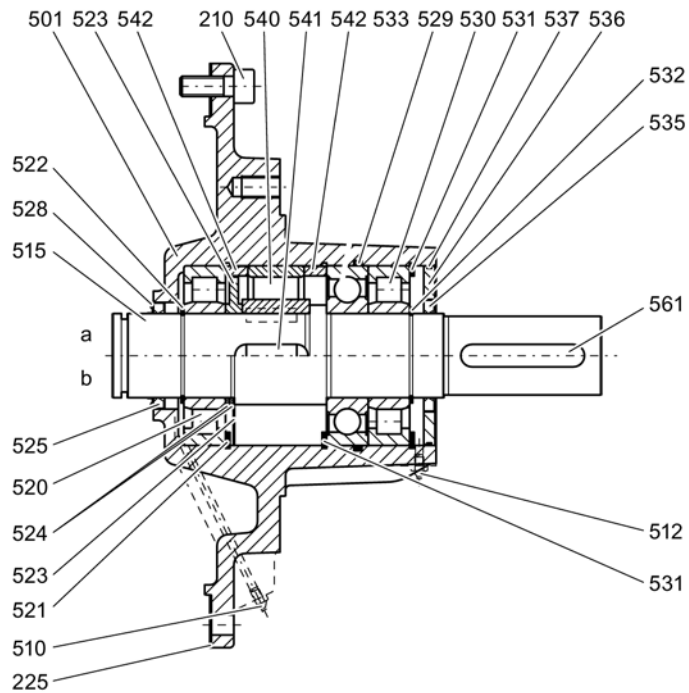
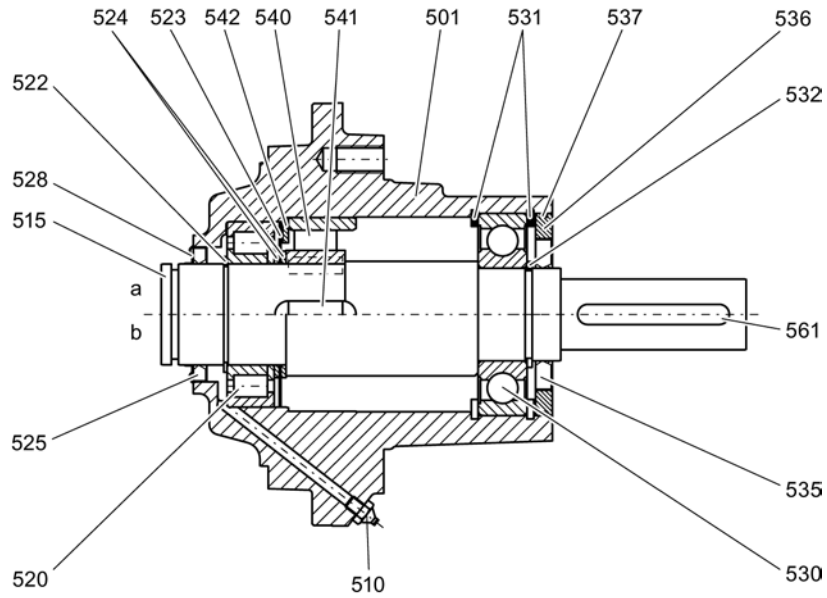


6.2 Spare parts lists

6.2.1 Input units A, A5



- a with backstop
- b without backstop
- 210 Bolt
- 225 Gasket
- 501 Cover
- 510 Tapered grease nipple
- 512 Tapered grease nipple
- 515 Drive shaft
- 520 Cylindrical-roller bearing
- 521 Locking ring
- 522 Locking ring
- 523 Sealing disk
- 524 Supporting disk
- 525 Shaft sealing ring
- 528 Oil splasher
- 529 O-ring
- 530 Deep-groove ball bearing / cylindrical-roller bearing
- 531 Locking ring
- 532 Locking ring
- 533 Deep-groove ball bearing
- 535 Shaft sealing ring
- 536 Ring for shaft sealing ring
- 537 O-ring
- 540 Backstop
- 541 Featherkey
- 542 Supporting disk
- 561 Featherkey

Figure 6-2 Input units A, A5